

205446-02CF

A		D		P12	
	x12		x12	$\varnothing 20$ mm.	x18
B		E		T4	
	8x30 mm.		7x60 mm.	x4	6x20mm.
	x24			x4	T12
C		R		x4	
	$\varnothing 15 \times 12$ mm			x4	6 ma X 20 mm.
C8		P		x2	T13
	$\varnothing 15 \times 14$ mm			x3	6x40 mm.
	x8				

P8

x3

205446-02TUB

205446-08PIE

x2

209025-07CC

L2

x8

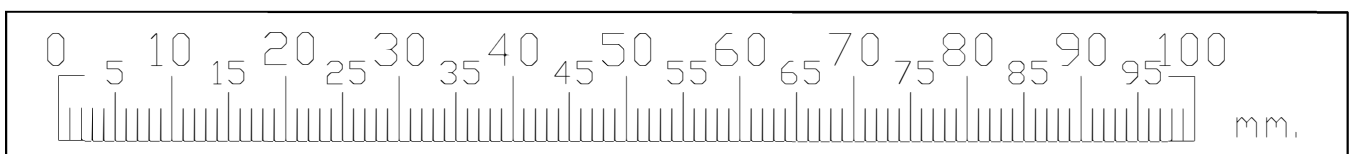
4x16 mm.

N1

x4

O

x4

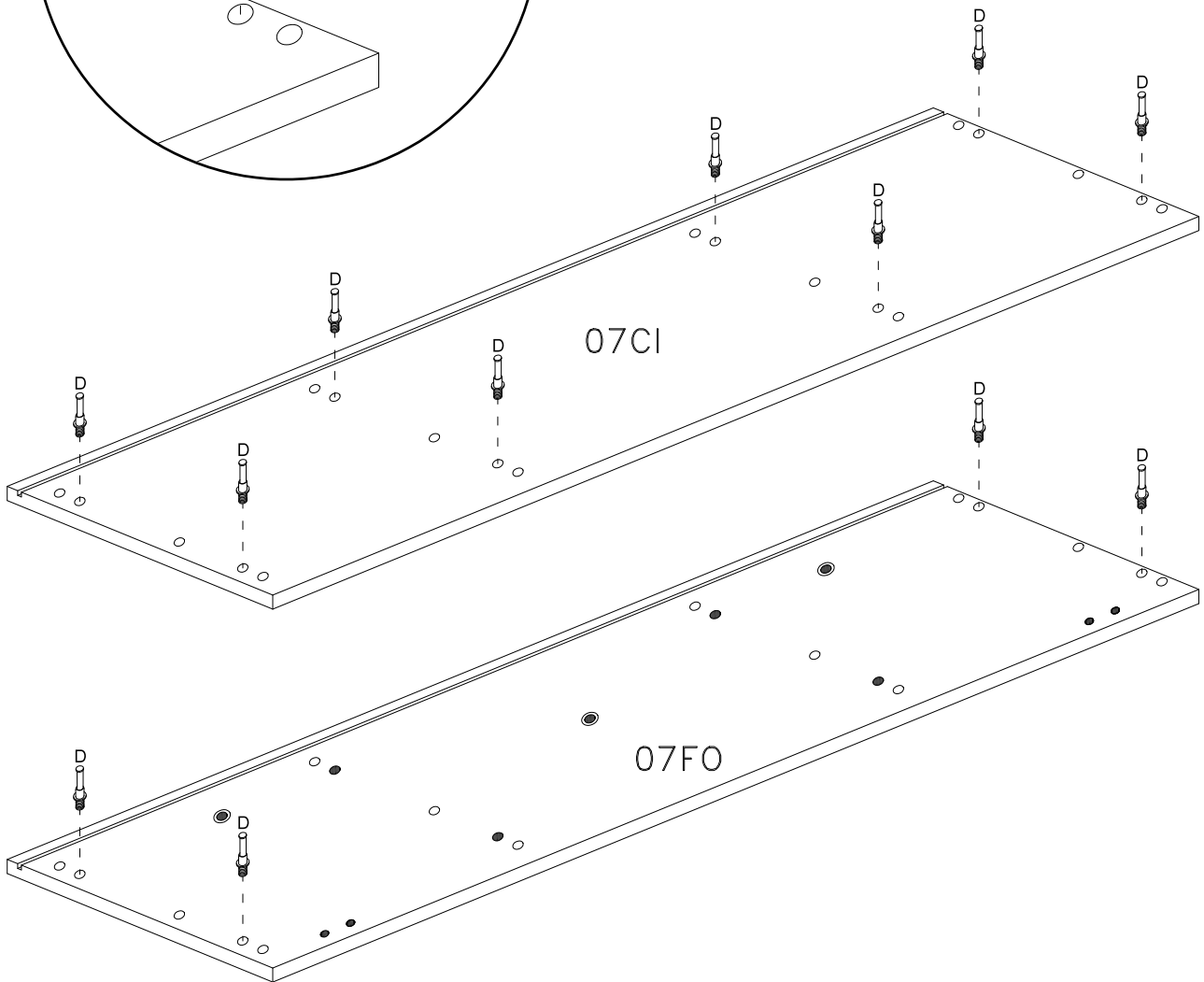
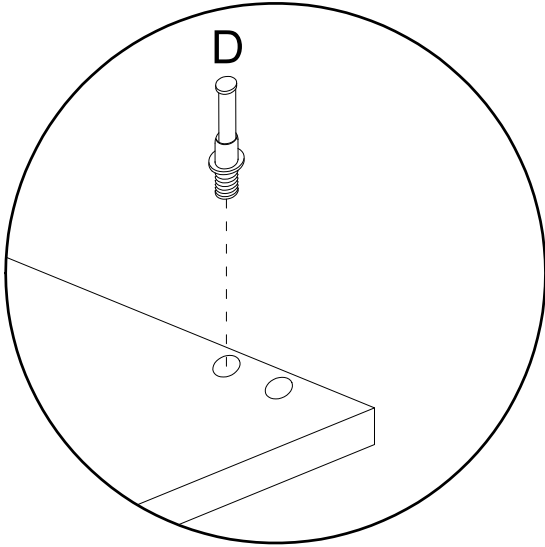
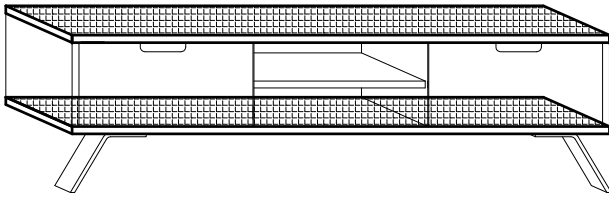


D

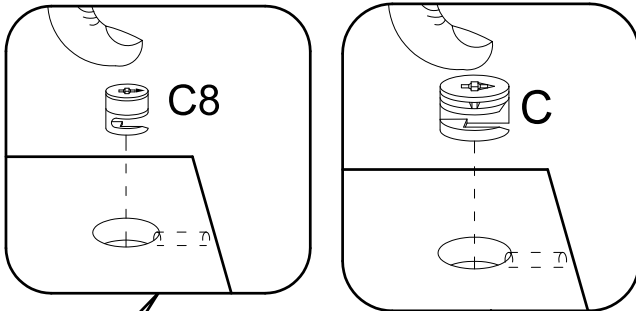





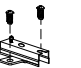

x12

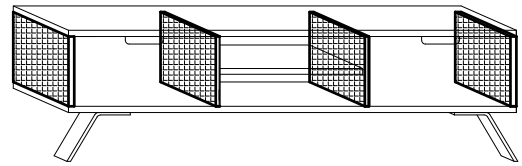
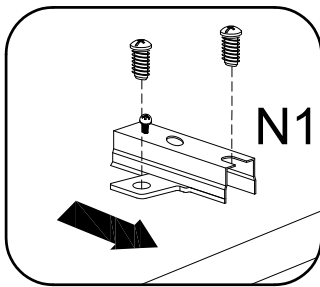
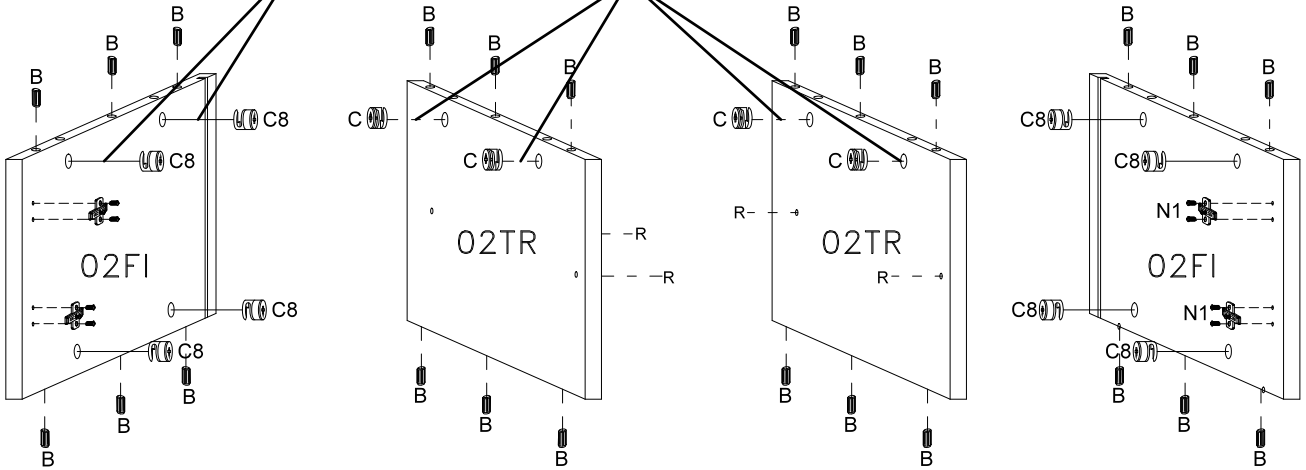
1



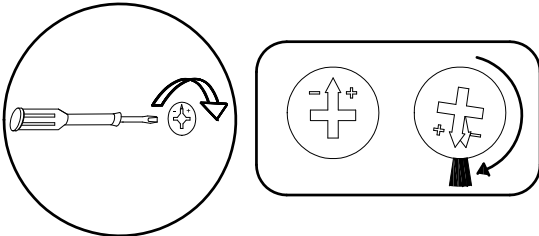
2

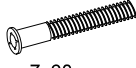


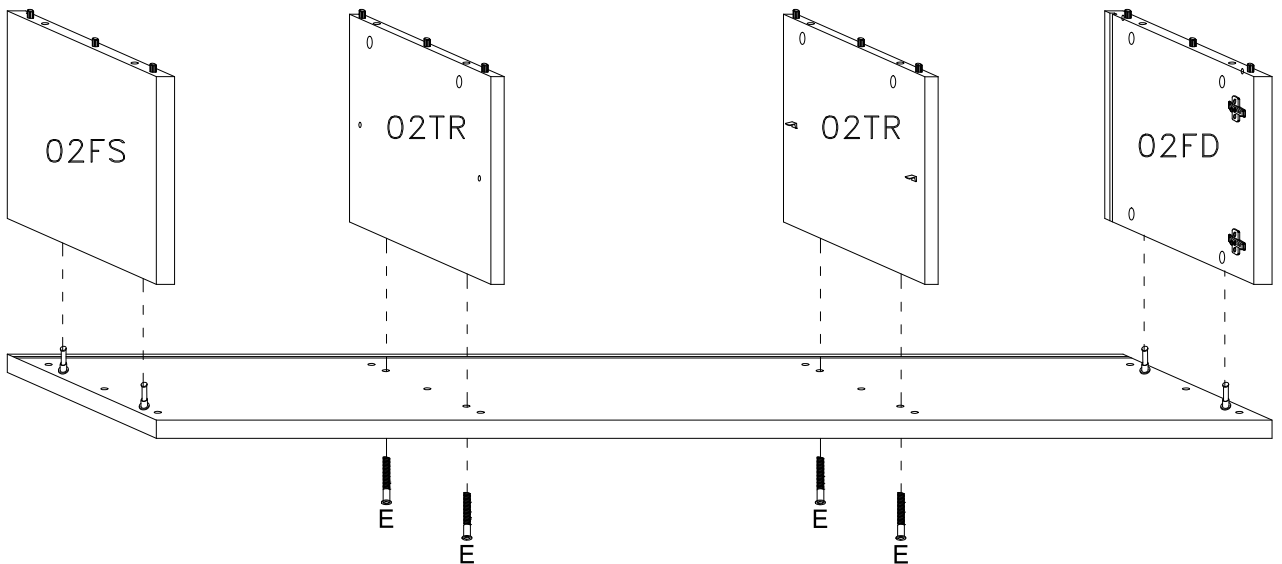
- B  8x30 mm. **x24**
- C  $\varnothing 15 \times 12$ mm **x4**
- C8  $\varnothing 15 \times 14$ mm **x8**
- N1  **x4**
- R  **x4**



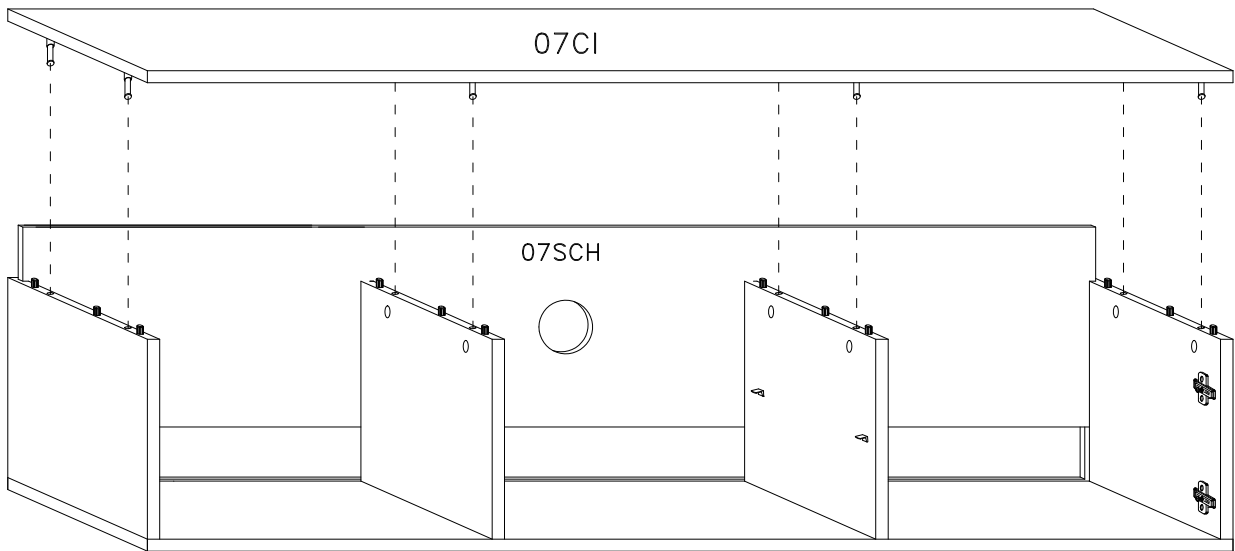
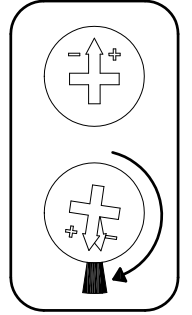
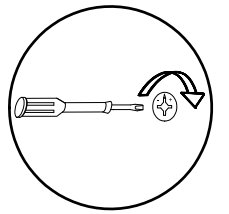
3



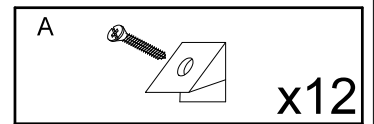
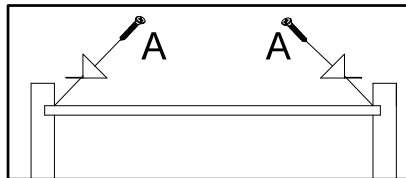
- E  7x60 mm. **x4**



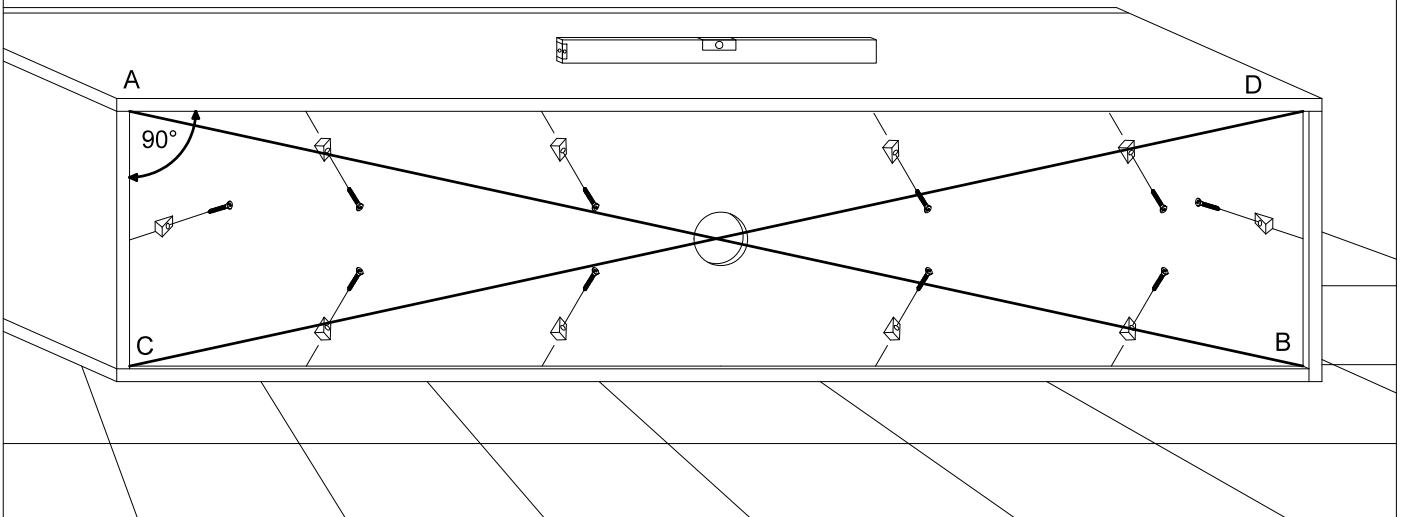
4



5



AB=CD



6

T4

6x20 mm.



x4

T12

6 ma X 20 mm.



x4

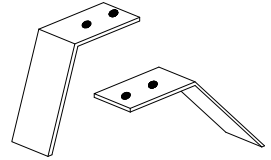
T13



6x40 mm.

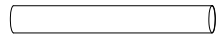
x3

PIE



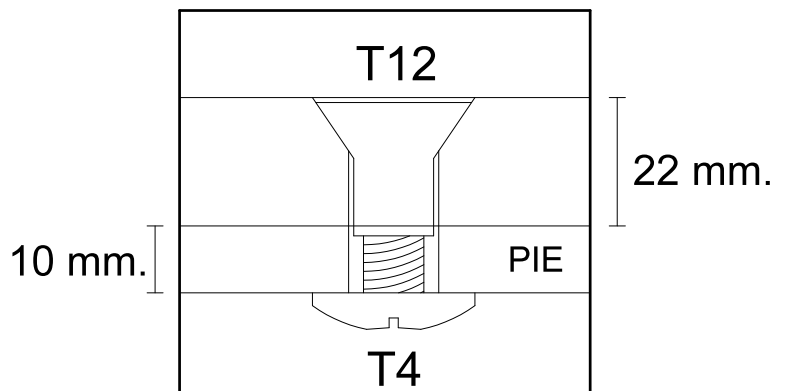
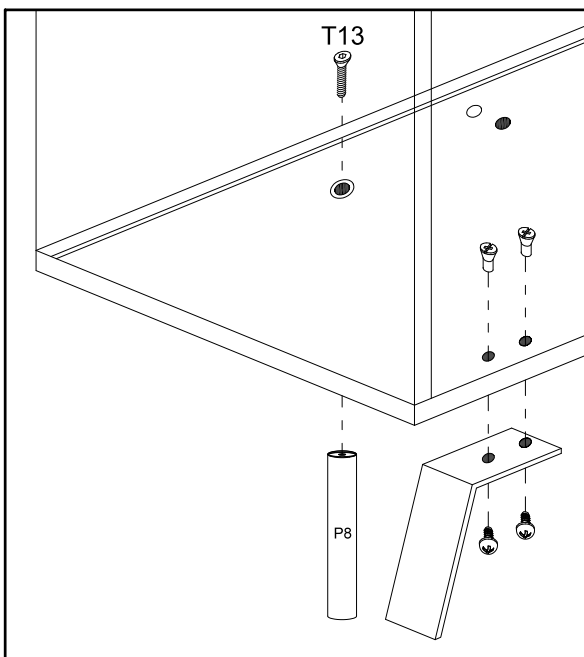
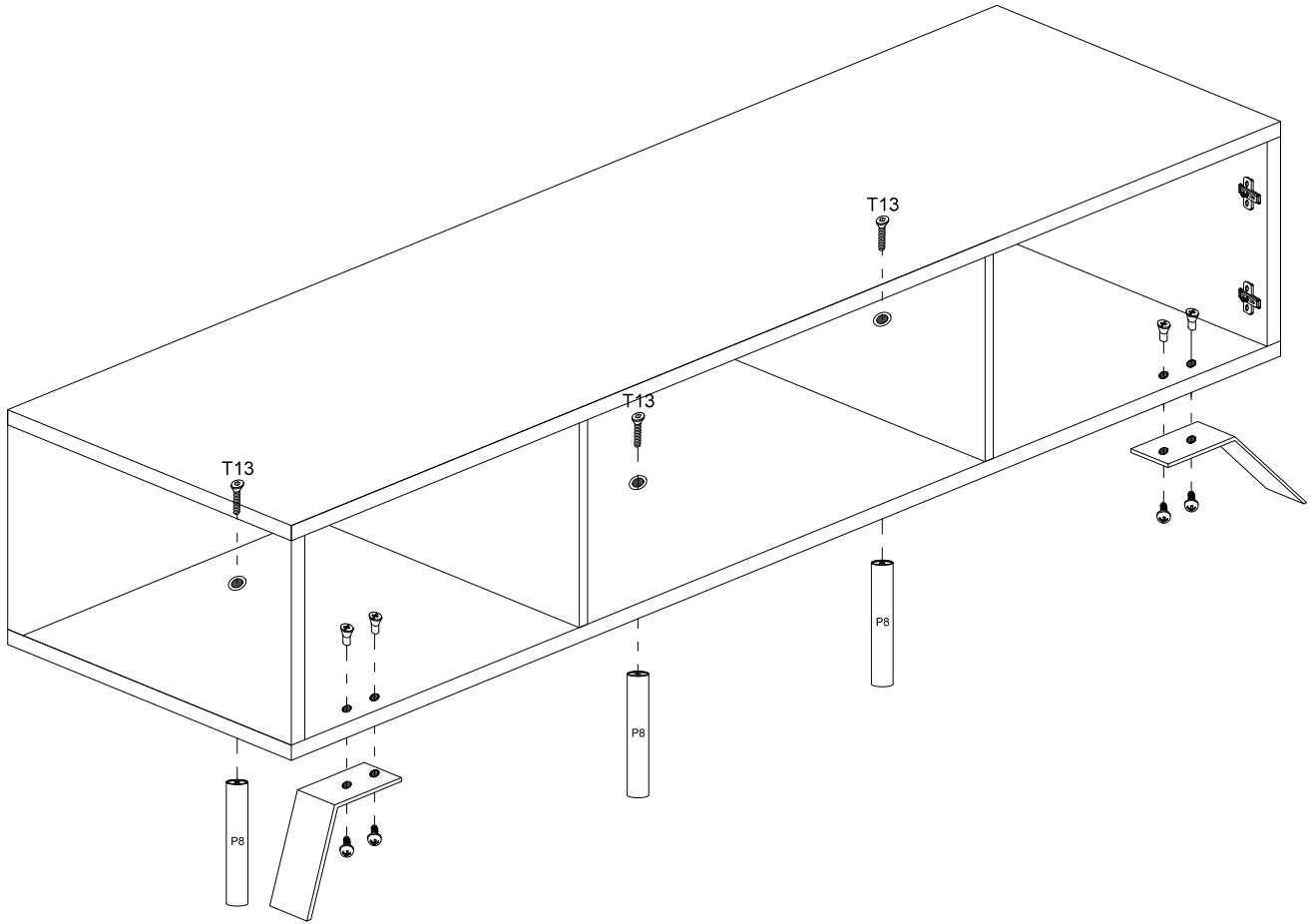
x2

P8



140 mm.

x3



7

L2



x8

P

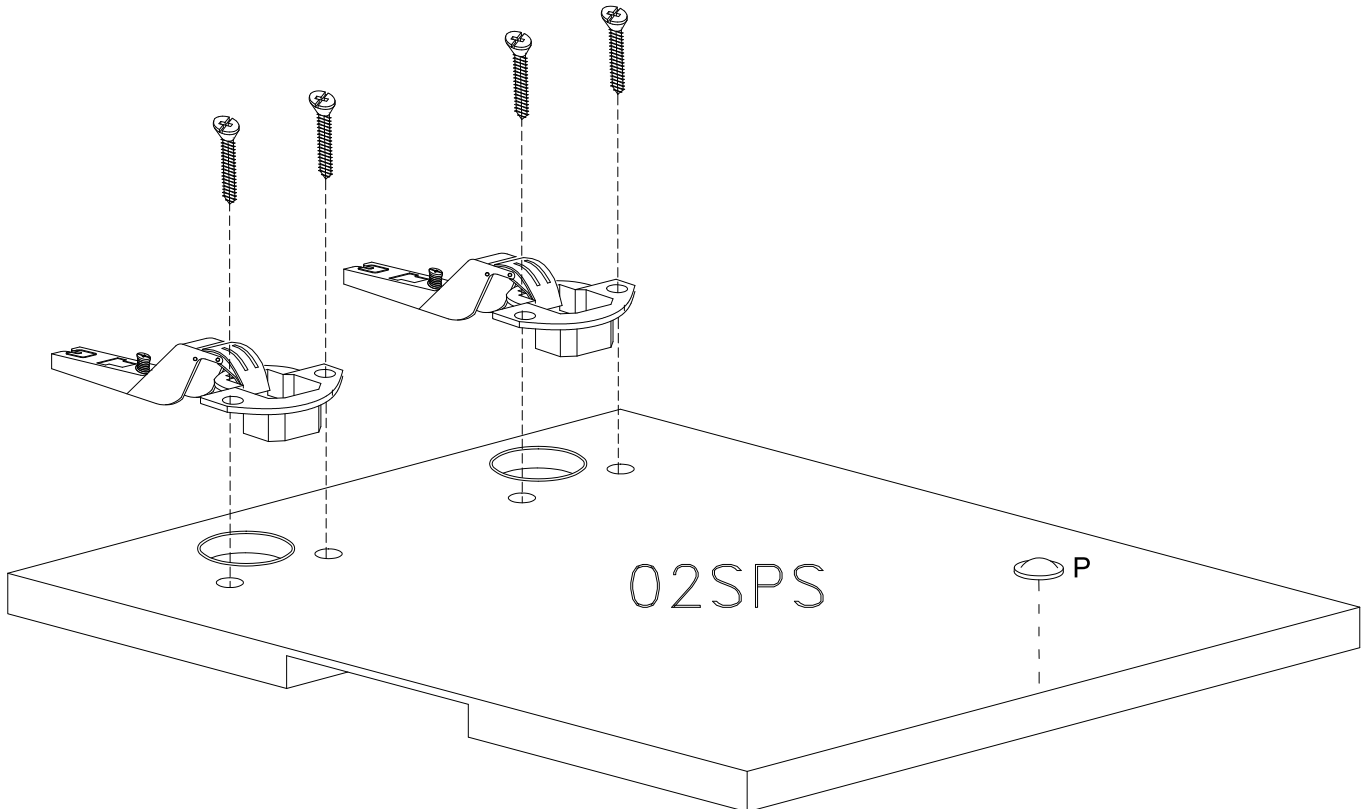
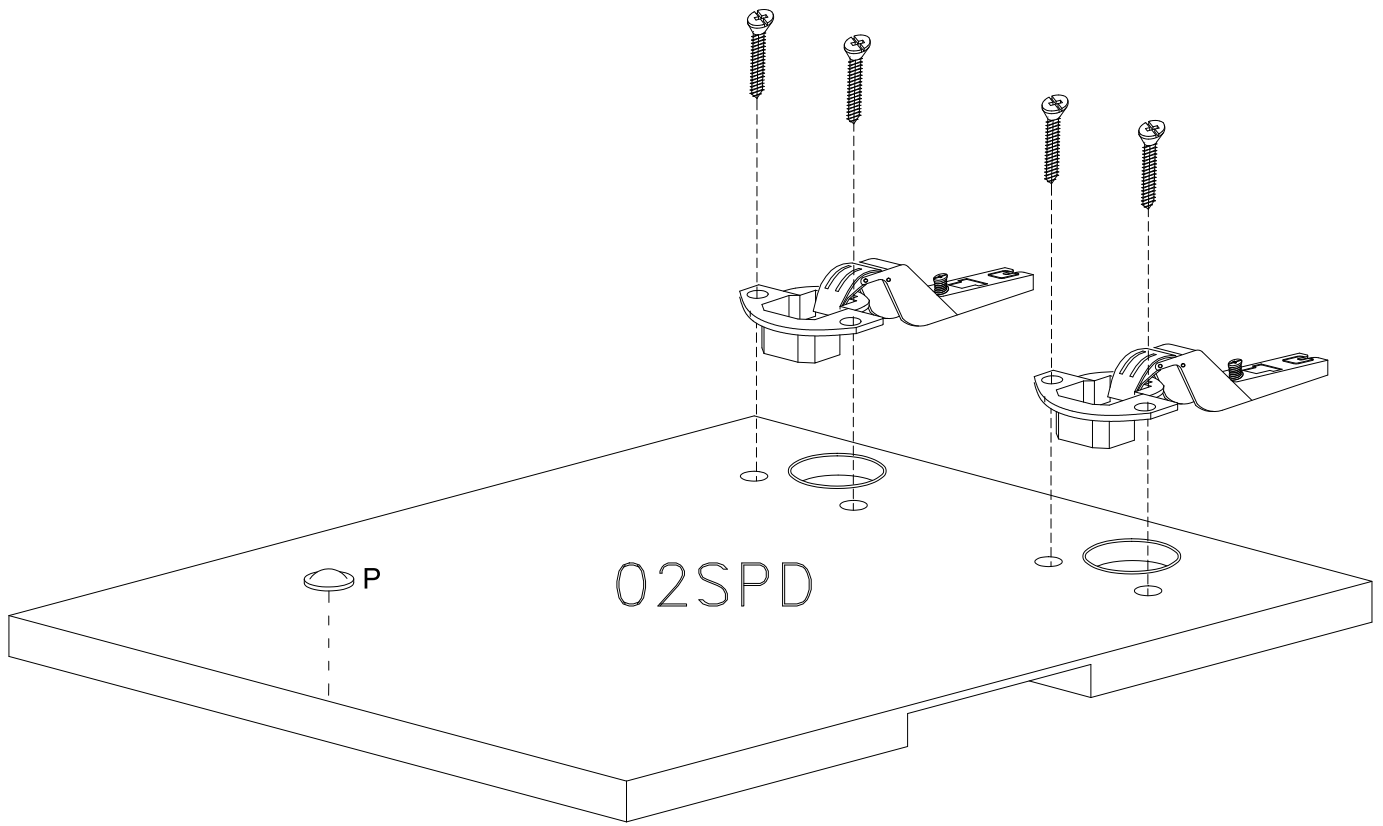


x2

O



x4



8

